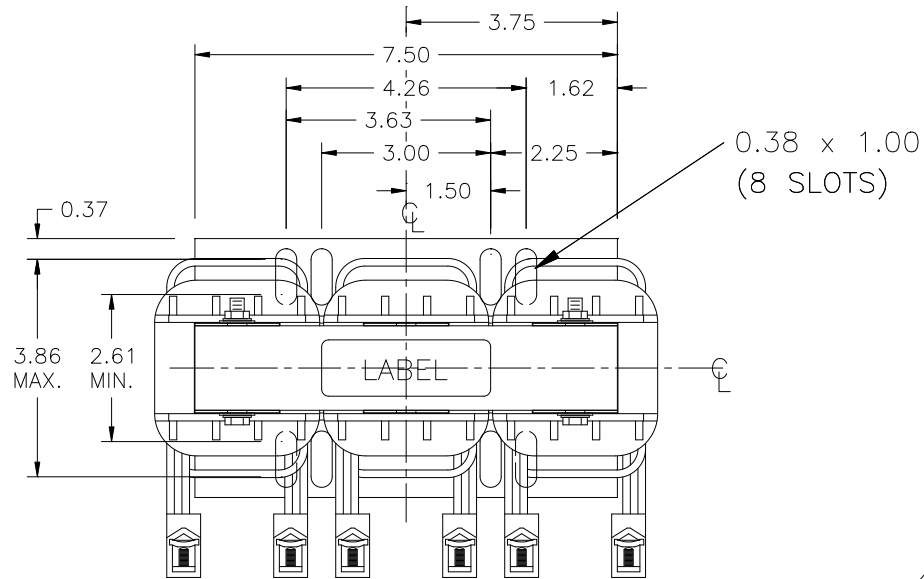


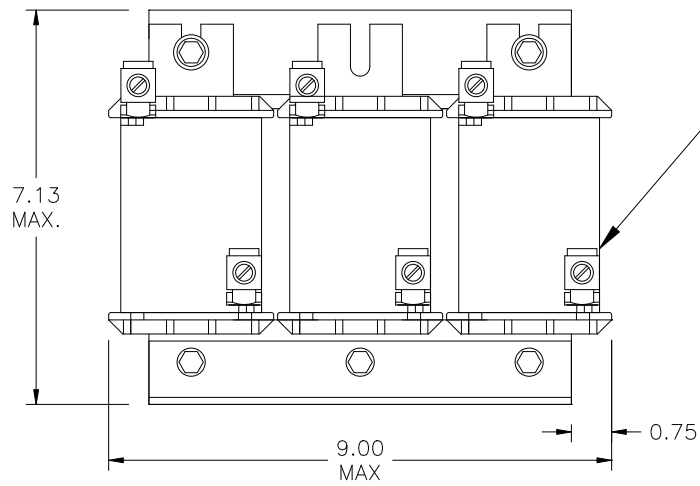
FILE: J:\ENG\PROD DOC\RL-08002

INDUCTANCE	WEIGHT
0.4 mH	33 LBS.

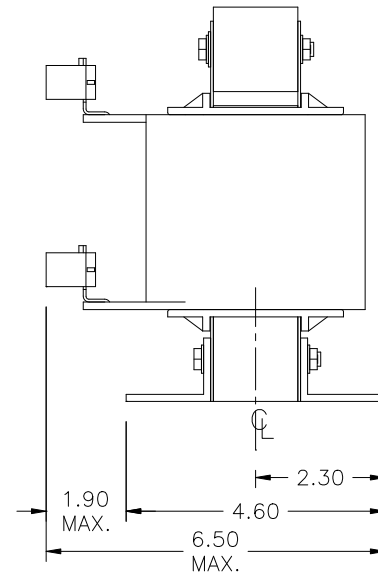
NO.	CHANGE DESCRIPTION	BY	DATE	C'K'D
-----	--------------------	----	------	-------



WIRE RANGE: 6-0 AWG



CAUTION: TERMINAL SCREW TIGHTENING  
TORQUE: 6-4 (45) in-lb MAX.  
2-0 (50) in-lb MAX.



NOTE:  
CENTER LINE REPRESENTS  
CENTER OF REACTOR CORE

UNLESS OTHERWISE SPECIFIED, DIMENSIONS ARE IN INCHES [mm] AND TOLERANCES ARE:

DECI.                      FRAC.  
  
ANGLES                    DRILLED HOLES

PART NAME: 3-PHASE REACTOR

DESCRIPTION: OUTLINE DIMENSION

FINISH:

MTE CORPORATION  
MENOMONEE FALLS, WISCONSIN

RL-08002

REV.  
16

SCALE	NTS	DATE	09/08/05	C'K'D
REF.		DR. BY	KFL	APP'D